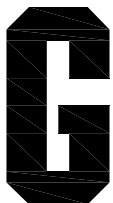
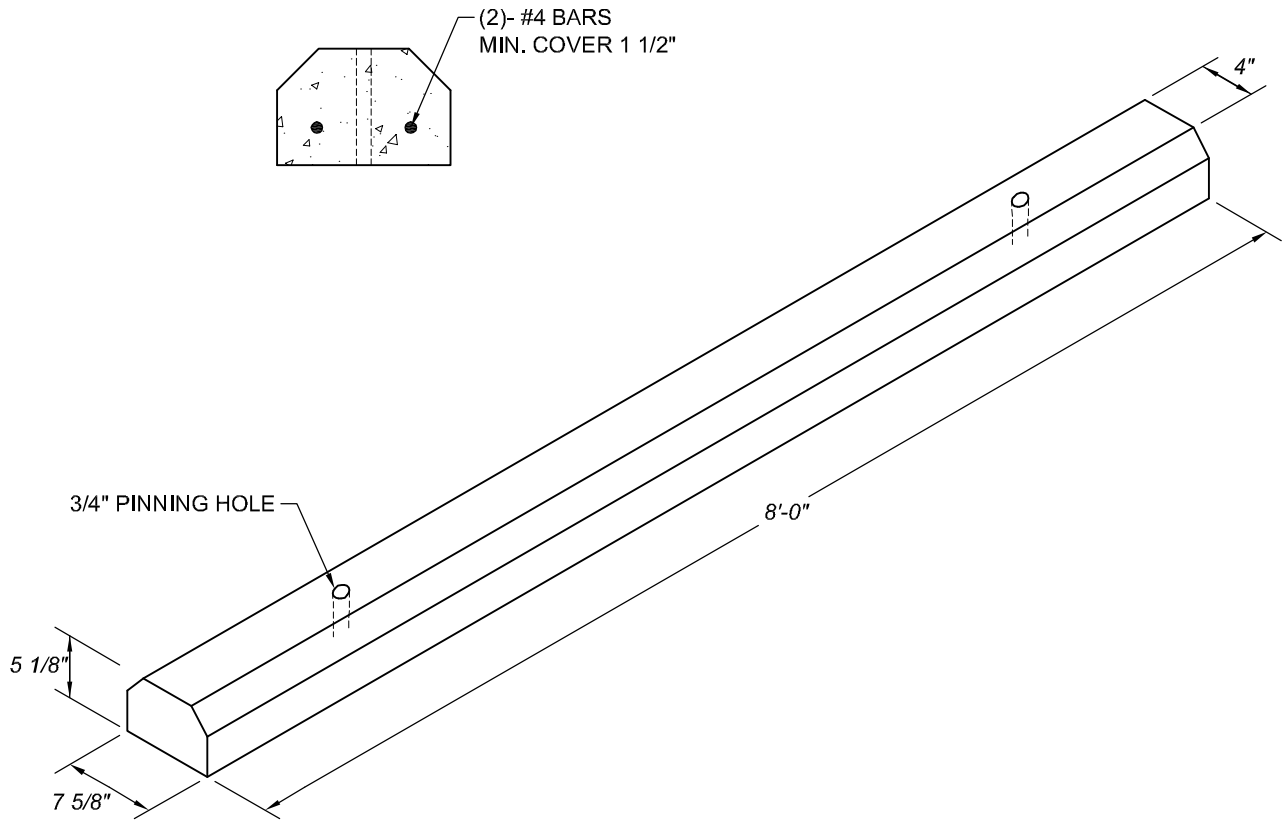


**GENERAL NOTES:**

- MACHINE CAST
- STEEL REINFORCING
- 5,500 P.S.I.
- 280 lbs.
- 3/4" PIN HOLES



**GILLESPIE & SON**

CONCRETE PRODUCTS

BOX 450 100 DIXON DR  
CHESTERTOWN, MD 21620  
1-800-638-6884

**8' PARKING CURB**

SCALE:

Not to Scale

DWG. #:

1 of 1

DRAWN BY:

J.T.

DATE:

11-25-03