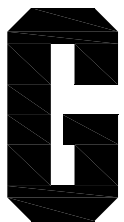
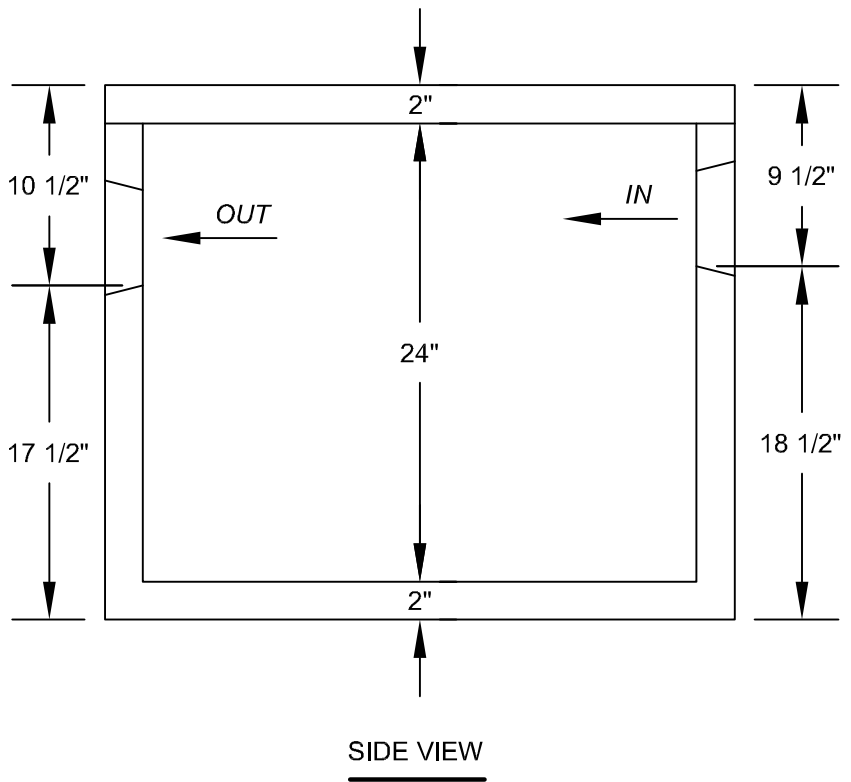
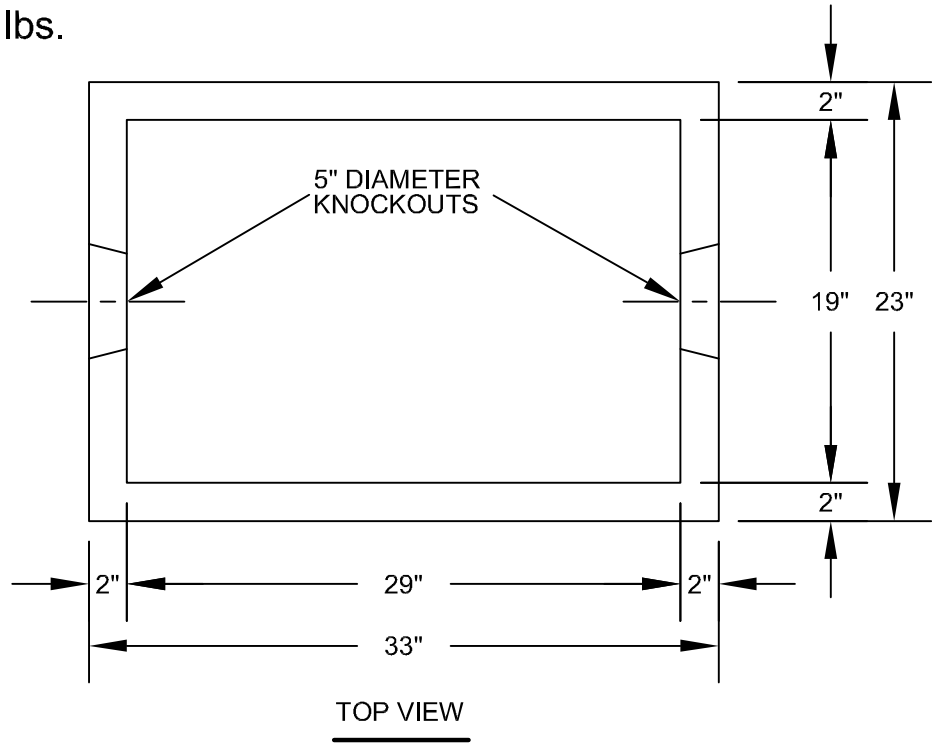


LID: 120 lbs.  
BOX: 600 lbs.



**GILLESPIE & SON**  
CONCRETE PRODUCTS

BOX 450 100 DIXON DR  
CHESTERTOWN, MD 21620  
1-800-638-6884

**50 GALLON**  
Grease Trap

DRAWN BY:	J.T.	DATE:	1-18-02
SCALE:	Not to Scale	DWG. #:	1 of 1