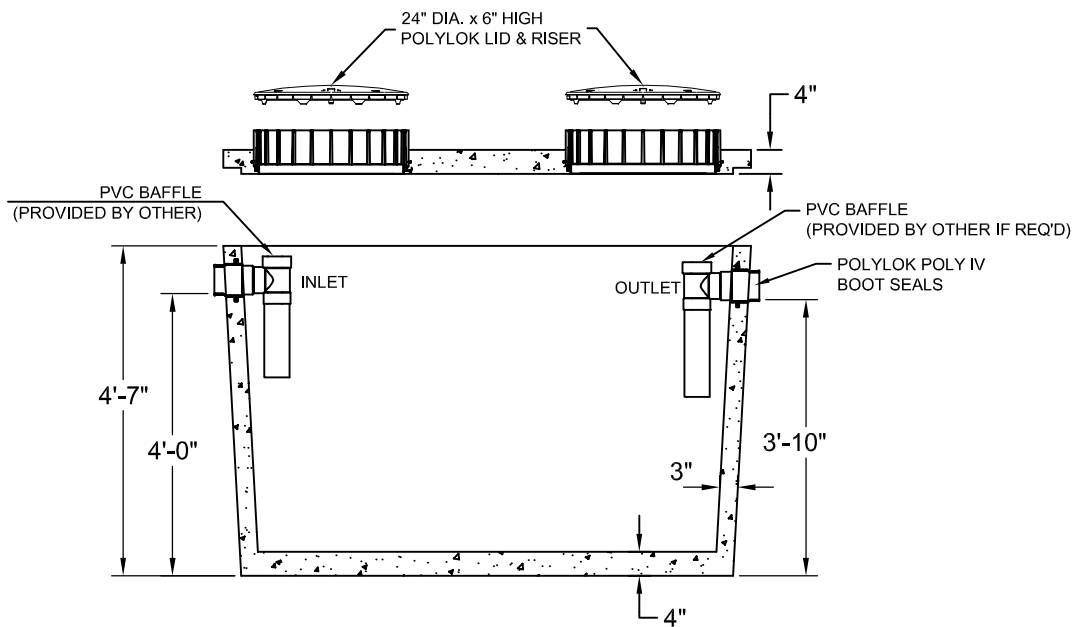


PLAN VIEW



SECTION A-A

- 1. OVERALL HEIGHT: 4'10"
- 2. WEIGHT: TANK 6000 lbs.  
COVER 2300 lbs.



Chestertown, MD | 410-778-0900 | gillespieandson.com

## 1000 GALLON TOP SEAM Holding/Dosing Tank

DRAWN BY:

P.E.G.

DWG.:

1 of 1

SCALE:

Not to Scale

DATE:

06/01/17