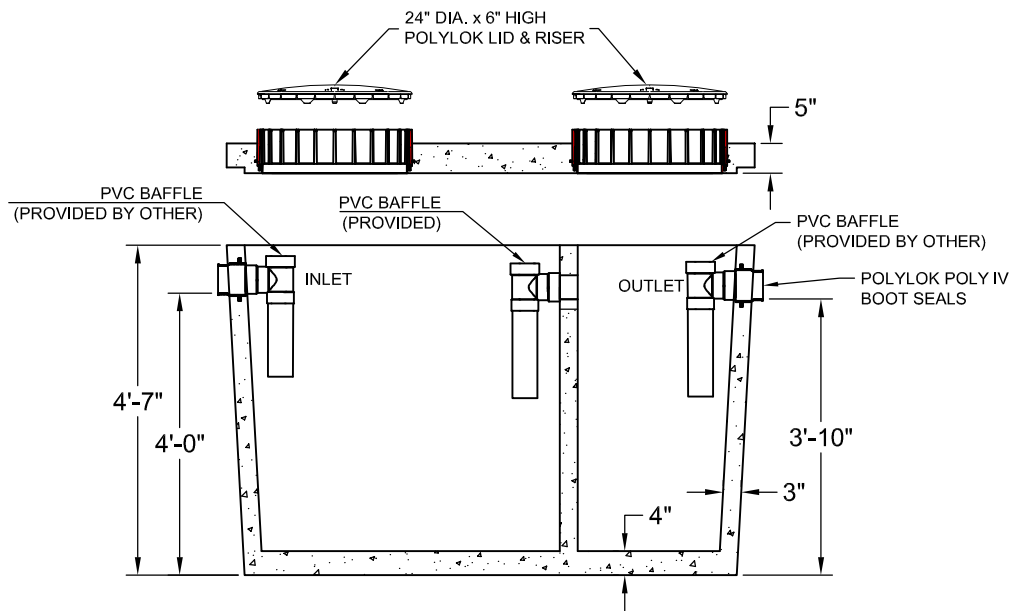


PLAN VIEW



SECTION A-A

1. OVERALL HEIGHT: 4'11"
2. WEIGHT: TANK 7000 lbs.  
COVER 2970 lbs.



Chestertown, MD | 410-778-0900 | gillespieandson.com

## 1000 GALLON TOP SEAM Heavy Duty Septic Tank

DRAWN BY:

P.E.G.

DATE:

05/30/17

SCALE:

Not to Scale

DWG. #:

1 of 1