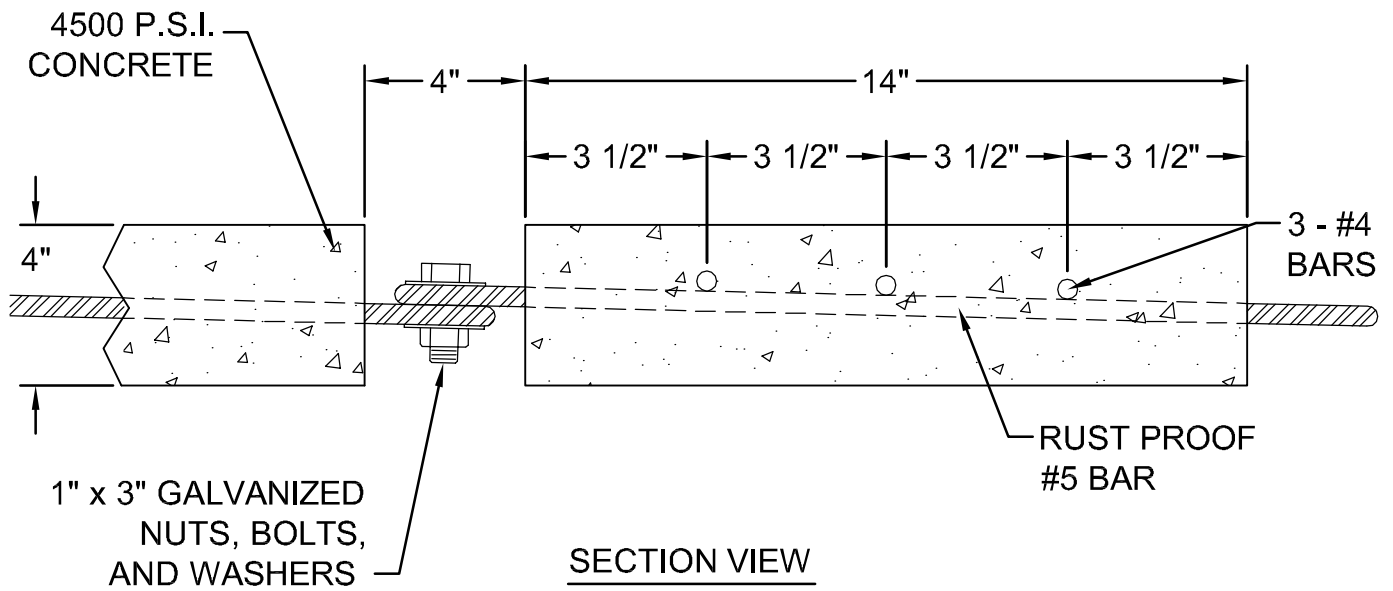
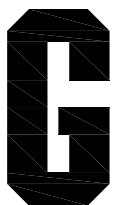


PLAN VIEW



SECTION VIEW

WEIGHT: 675 lbs. each



GILLESPIE & SON

CONCRETE PRODUCTS

BOX 450 100 DIXON DR
CHESTERTOWN, MD 21620
1-800-638-6884

PRECAST BOAT RAMPS

DRAWN BY:

J.T.

DATE:

12-5-00

SCALE:

NOT TO SCALE

DWG. #:

1 OF 1